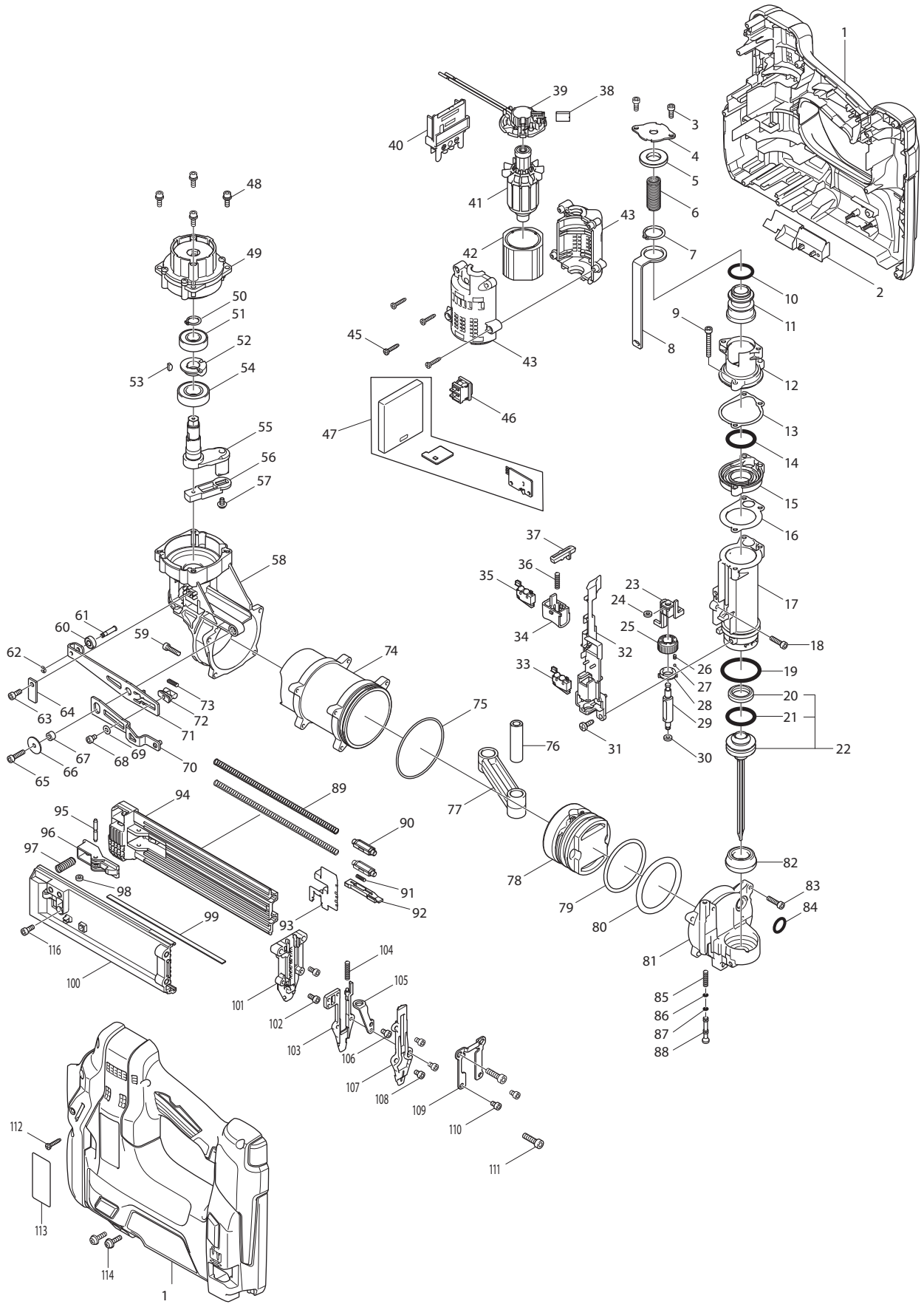




08 - 2015  
DBN500Z  
18V LXT 18Ga Brad Nailer



Item No.	Type	Ref	Part No.	Description	Qty	Unit
001			187862-4	HOUSING SET	1	PC.
		INC.	252126-6	HEX. LOCKING NUT M4-7	2	PC.
		INC.	803N92-0	CAUTION LABEL	1	PC.
002			454946-6	LED COVER	1	PC.
003			922112-8	HEX. SOCKET HEAD BOLT M4X10	2	PC.
004			346773-4	TOPCAP	1	PC.
005			424625-0	REAR CUSHION	1	PC.
006			234393-5	COMPRESSION SPRING 11	1	PC.
007			961059-1	RETAINING RING (EXT) S-19	1	PC.
008			346776-8	LINK ARM B	1	PC.
009			922157-6	HEX. SOCKET HEAD BOLT M4X30	3	PC.
010			213381-5	O RING 21	1	PC.
011			326398-0	VALVE	1	PC.
012			319114-7	CYLINDER HEAD	1	PC.
013			423472-6	GASKET A	1	PC.
014			213364-5	O RING 24	1	PC.
015			319116-3	SEPARATER	1	PC.
016			423473-4	GASKET B	1	PC.
017			319113-9	DRIVER CYLINDER	1	PC.
018			922127-5	HEX. SOCKET HEAD BOLT M4X16	3	PC.
019			213475-6	O RING 34	1	PC.
020			421551-4	CUSHION "P"	1	PC.
021			213364-5	O RING 24	1	PC.
022			135644-8	DRIVER ASS'Y	1	PC.
		INC.		Item No. 20,21		
023			310585-1	ADJUSTER BLOCK	1	PC.
024			262130-7	URETHANE RING 4	1	PC.
025			454949-0	ADJUSTER	1	PC.
026			234254-9	COMPRESSION SPRING 2	1	PC.
027			216031-1	STEEL BALL 2.3	1	PC.
028			453807-7	ADJUSTER GUIDE	1	PC.
029			326399-8	ADJUSTER ROD	1	PC.
030			262130-7	URETHANE RING 4	1	PC.
031			266026-4	TAPPING SCREW BIND CT 4X12	2	PC.
032			454938-5	SWITCH BASE	1	PC.
033			632C01-4	SWITCH UNIT	1	PC.
034			454939-3	TRIGGER	1	PC.
035			632C01-4	SWITCH UNIT	1	PC.
036	2		231372-4	COMPRESSION SPRING 5	1	PC.
037			454952-1	TRIGGER LOCK	1	PC.
038			195021-6	CARBON BRUSH CB-440 2PC/SET W/ORIGIN	1	SET
039			632B92-9	BRUSH HOLDER COMPLETE	1	PC.
040			643860-3	TERMINAL	1	PC.
041			619339-6	ARMATURE	1	PC.
042			638989-8	YOKE UNIT	1	PC.
043			187809-8	MOTOR HOUSING SET	1	SET
045			266130-9	TAPPING SCREW BIND PT 3X16	4	PC.
046			651533-4	SWITCH SLE6A2-33	1	PC.
047			620291-3	CONTROLLER	1	PC.
048			266273-7	HEX. SOCKET HEAD BOLT M4X12	4	PC.
049			126398-8	GEAR ASSEMBLY	1	PC.
050			961052-5	RETAINING RING S-12	1	PC.
051			210107-6	BALL BEARING 6001ZZ	1	PC.
052	1		313276-3	* EDGE CAM	1	PC.
	2		313346-8	* EDGE CAM	1	PC.
053	1		254031-3	* WOODRUFF KEY 3 (removed)	1	PC.
054			211243-1	BALL BEARING 6002ZZ	1	PC.

Item No.	Type	Ref	Part No.	Description	Qty	Unit
055	2		327749-0	* CRANK	1	PC.
056			142440-7	MAGNET BASE COMPLETE	1	PC.
057			911109-2	PAN HEAD SCREW M4X8	1	PC.
058			319112-1	CRANK CASE	1	PC.
059			922127-5	HEX. SOCKET HEAD BOLT M4X16	4	PC.
060	2		211495-4	BALL BEARING 604ZZ	1	PC.
061			256553-9	PIN4	1	PC.
062			961017-7	STOP RING E-3	1	PC.
063			922112-8	HEX. SOCKET HEAD BOLT M4X10	1	PC.
064			346778-4	PLATE B	1	PC.
065			922127-5	HEX. SOCKET HEAD BOLT M4X16	1	PC.
066			267071-2	FLAT WASHER 4	1	PC.
067			257822-1	SLEEVE 8	1	PC.
068	1		922102-1	* HEX. SOCKET HEAD BOLT M4X6	1	PC.
	2		922109-7	* HEX. SOCKET HEAD BOLT M4X6	1	PC.
069	1		941051-3	* FLAT WASHER 4 - No longer used with Type 2	1	PC.
070			142442-3	SUB ARM COMPLETE	1	PC.
071			346775-0	LINK ARM A	1	PC.
072			310587-7	SLIDER	1	PC.
073			234119-5	COMPRESSION SPRING 3	1	PC.
074			332099-0	MAIN CYLINDER	1	PC.
075			213709-7	O RING 63	1	PC.
076			332101-9	PIPE 12	1	PC.
077			454937-7	CONECTING ROD	1	PC.
078			454944-0	PISTON A	1	PC.
079			213605-9	O RING 50	1	PC.
080			213609-1	O RING 50	1	PC.
081	1		319115-5	* CYLINDER END	1	PC.
	2		312A55-2	* CYLINDER END	1	PC.
082			424624-2	CUSHION	1	PC.
083			922127-5	HEX. SOCKET HEAD BOLT M4X16	4	PC.
084	1		213162-7	* O RING 14	1	PC.
	2		213238-0	* O RING 13	1	PC.
085			234329-4	COMPRESSION SPRING 4	1	PC.
086			213044-3	O RING 3	1	PC.
087			213044-3	O RING 3	1	PC.
088			326401-7	VALVE STEM	1	PC.
089			234325-2	COMPRESSION SPRING 6	2	PC.
090			454940-8	SLEEVE	2	PC.
091			234326-0	COMPRESSION SPRING 3	1	PC.
092			310584-3	STOPPER	1	PC.
093			346782-3	PUSHER	1	PC.
094			454942-4	SLIDE DOOR	1	PC.
095			256793-9	PIN 3	1	PC.
096			454945-8	LOCK LEVER	1	PC.
097			233197-2	COMPRESSION SPRING 7	1	PC.
098			262054-7	URETHANE RING 3	1	PC.
099			346774-2	NAIL PLATE	1	PC.
100			142654-8	MAGAZINE COMPLETE	1	PC.
		INC.	931102-0	HEX. NUT M4	1	PC.
		INC.	803N93-8	CAUTION LABEL FR/SP	1	PC.
101			310588-5	SET PLATE	1	PC.
102			265911-8	HEX. SOCKET HEAD BOLT M4X8	2	PC.
103			142443-1	CENTER PLATE COMPLETE	1	PC.
104			234328-6	COMPRESSION SPRING 4	1	PC.
105			346779-2	ARM	1	PC.
106			922102-1	HEX. SOCKET HEAD BOLT M4X6	1	PC.

Item No.	Type	Ref	Part No.	Description	Qty	Unit
107			310586-9	DRIVER GUIDE	1	PC.
108			922102-1	HEX. SOCKET HEAD BOLT M4X6	3	PC.
109			346777-6	PLATE A	1	PC.
110			922102-1	HEX. SOCKET HEAD BOLT M4X6	2	PC.
111			266369-4	HEX SOCKET HEAD BOLT M5X20	2	PC.
112			266130-9	TAPPING SCREW BIND PT 3X16	10	PC.
113			815P33-6	NAME PLATE F/DBN500	1	PC.
114			911118-1	PAN HEAD SCREW M4X12	2	PC.
116			922112-8	HEX. SOCKET HEAD BOLT M4X10	1	PC.
200			251314-2	+ SCREW M4X12 F/HOOK (Item No. A3)	1	PC.
C01			876082-2	CARTON F/DBN500Z	1	PC.
D01			654510-5	INSULATED CONNECTOR 5.5-SD	2	PC.

#### **ACCESSORIES**

Visit [www.makita.ca](http://www.makita.ca) for more accessories information -

A03			346449-3	HOOK	1	PC.
A04			424121-8	NOSE ADAPTER	2	PC.
A05			783201-2	HEX. WRENCH 3	1	PC.

#### **SERVICE CHANGES**

##### **T/I# D1690**

Item No.	Description	Type 1	Type 2
068	HSH BOLT M4X6	922102-1	922109-7
069	FLAT WASHER 4	941051-3	-----

Above parts are completely interchangeable as a set.

##### **T/I# D4066**

Item No.	Description	Type 1	Type 2
081	CYLINDER END	319115-5	312A55-2
084	O RING	213162-7	213238-0

Above parts are completely interchangeable as a set.

##### **T/I# D5761**

Item No.	Description	Type 1	Type 2
052	EDGE CAM	313276-3	313346-8
053	WOODRUFF KEY 3 (removed)	254031-3	-----
055	CRANK	332100-1	327749-0

Above parts are completely interchangeable as a set.